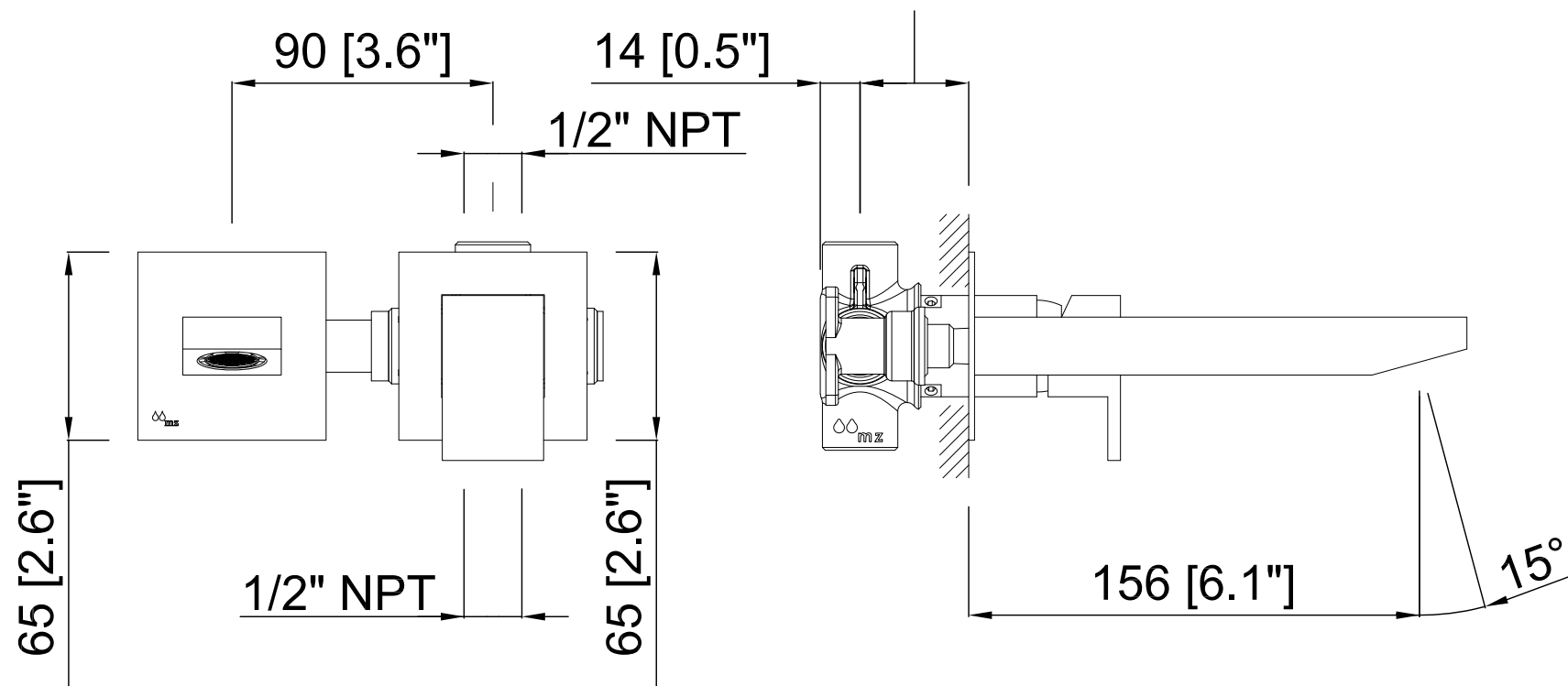


**Tolerancia empotrar**  
 Built in wall tolerance  
*Tolérance d'encastrement*  
**De from de 27 [1"] a to à 50 [2"]**



**COD. 30L1200XX**