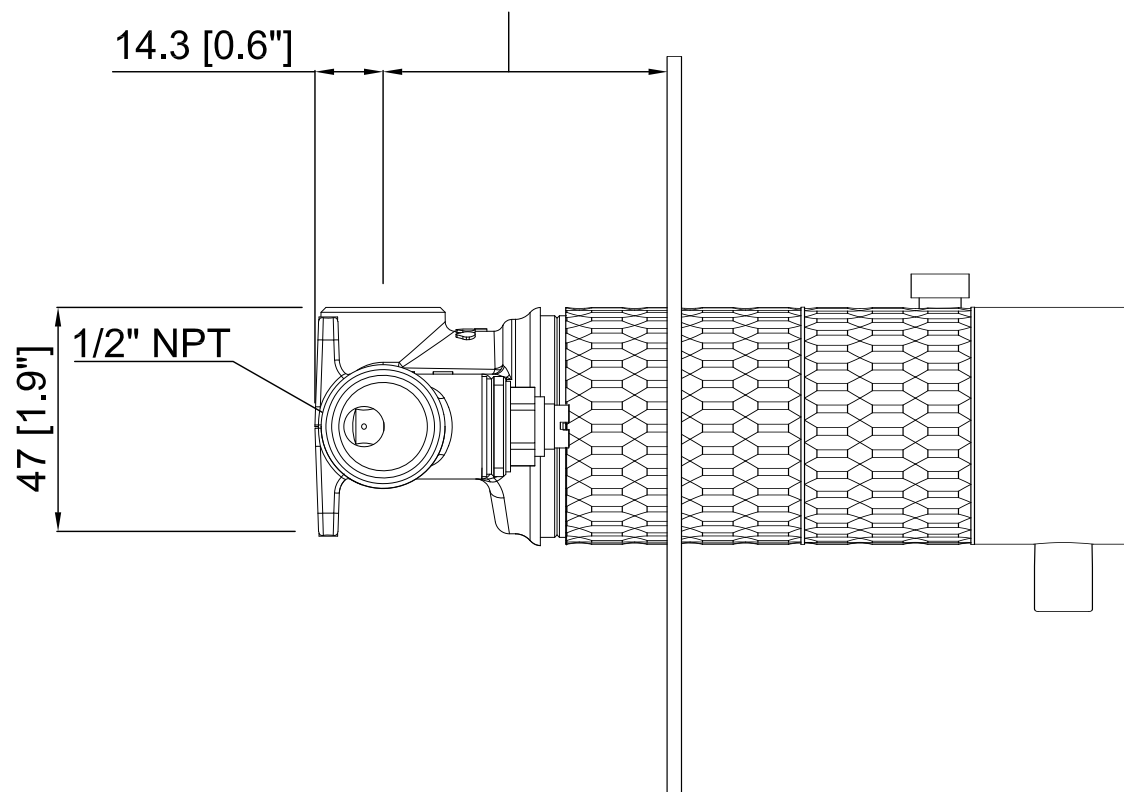
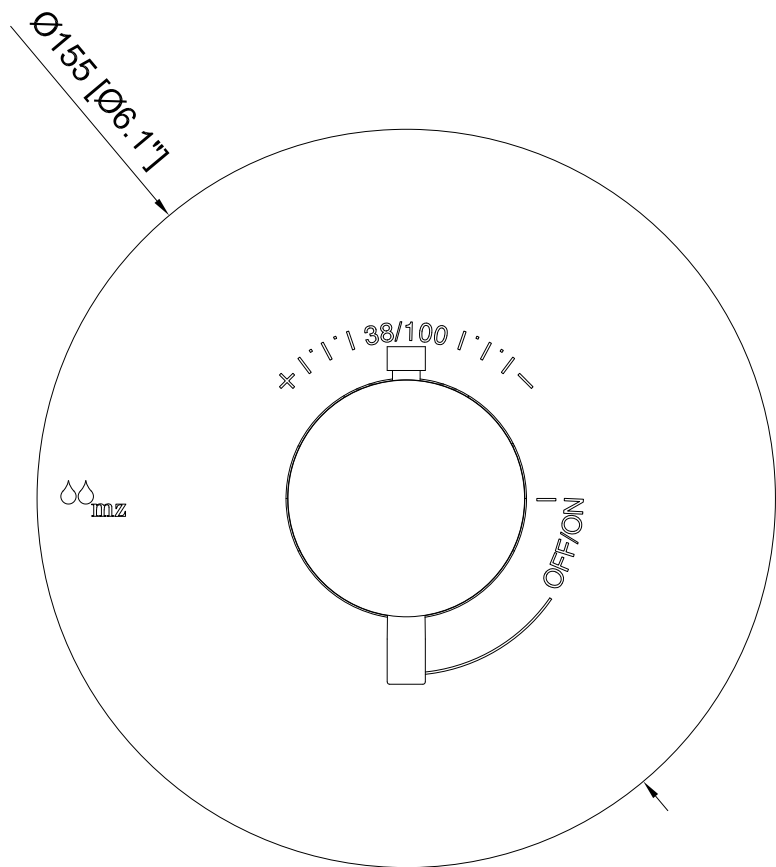


Tolerancia empotrar

Built in wall tolerance

Tolérance d'encastrement

De from de 40 [1.6"] a to à 65 [2.6"]



COD. 35B9704XX