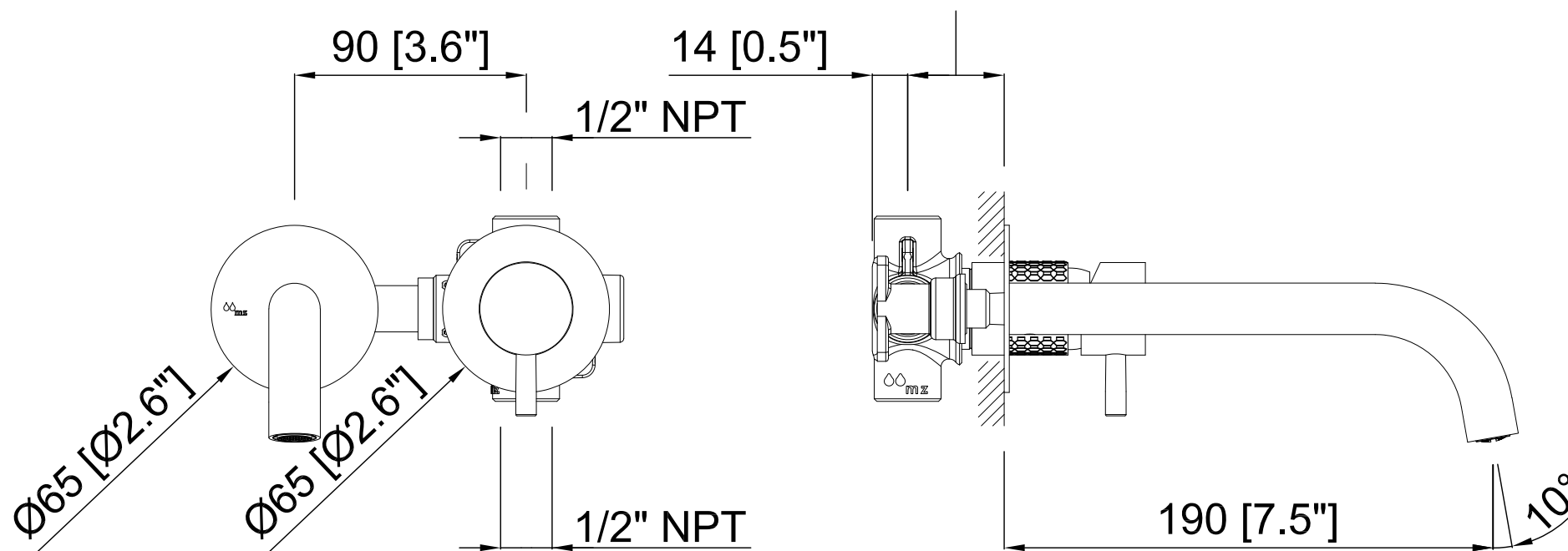


Tolerancia empotrar
Built in wall tolerance
Tolérance d'encastrement
De from de 25 [1"] a to à 50 [2"]



COD. 35L1C00XX