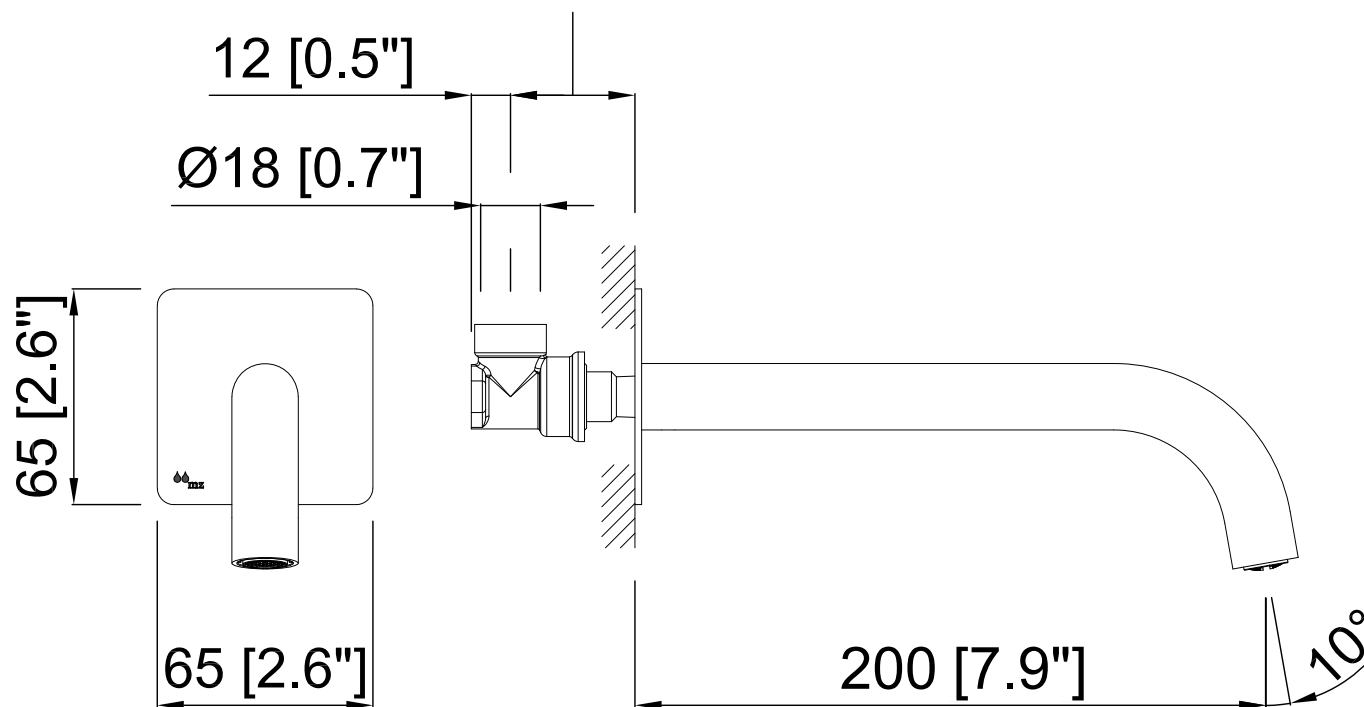


Tolerancia empotrar
Built in wall tolerance
De from 25 [1"] a to 50 [2"]



COD. CFB012-XX