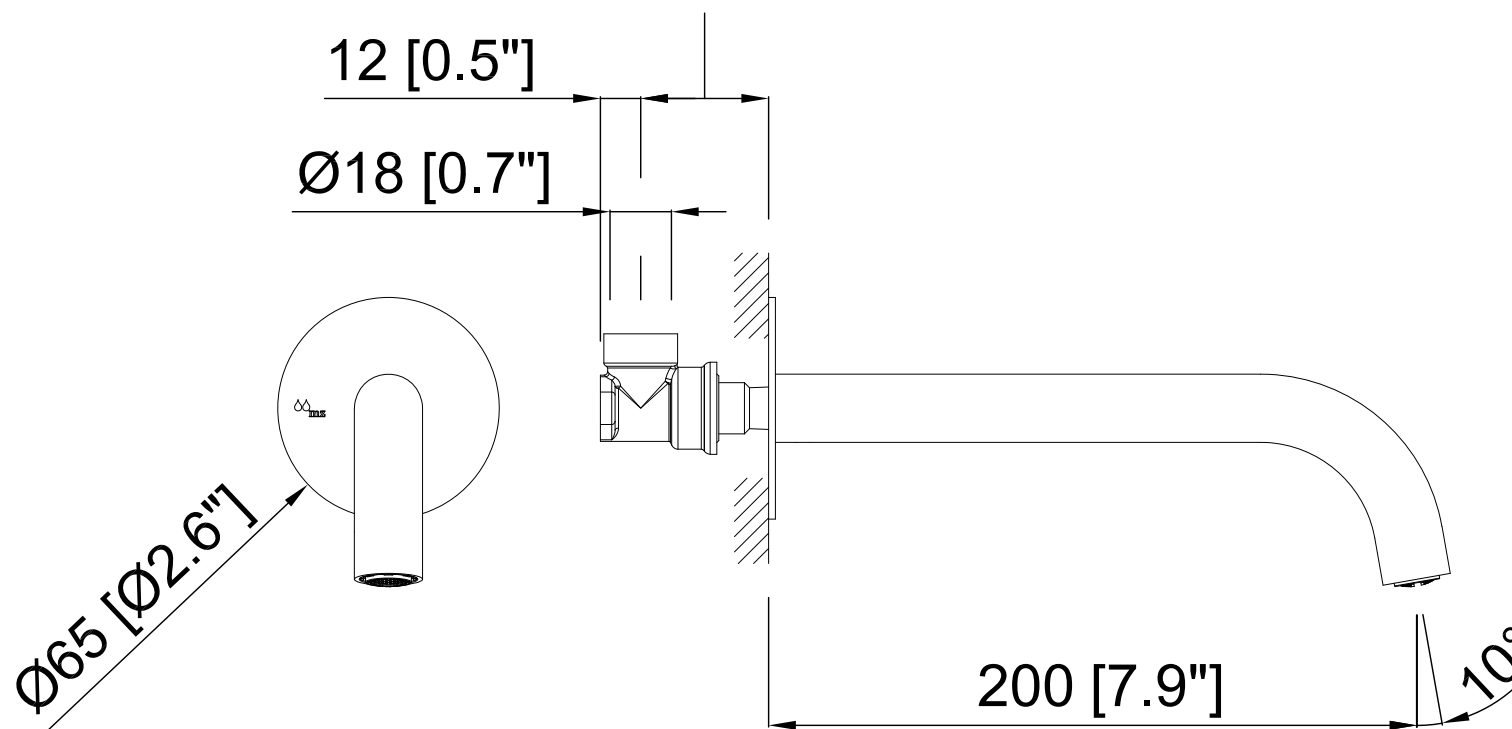


Tolerancia empotrar

Built in wall tolerance

Tolérance d'encastrement

De from *de* **25 [1"]** a to à **50 [2"]**



COD. CLM004-XX