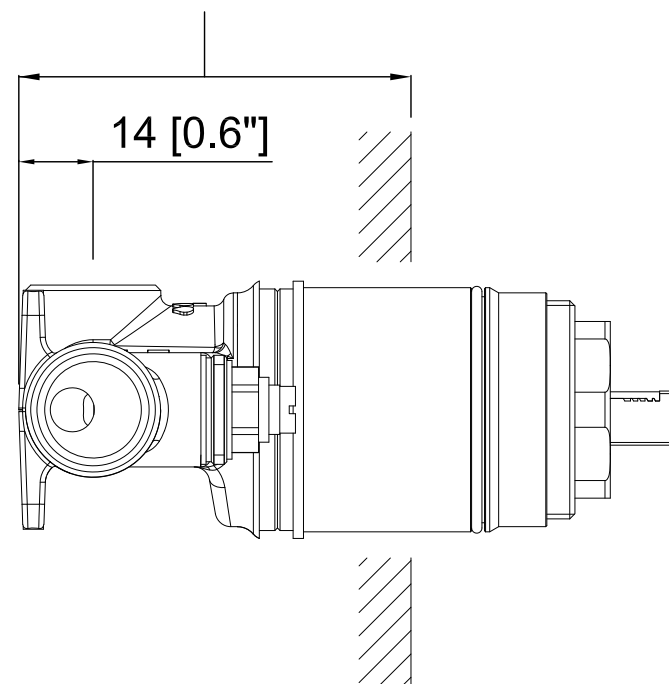


Tolerancia empotrar

Built in wall tolerance

Tolérance d'encastrement

De from de 54 [2.1] a to à 94 [3.7]



COD. CMD011-XX