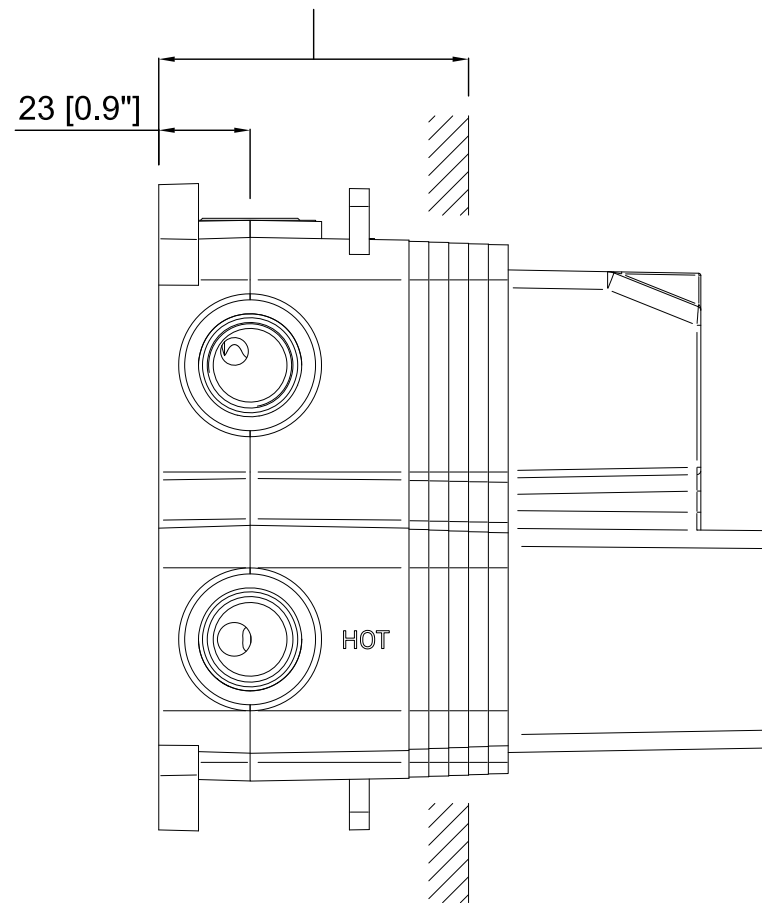
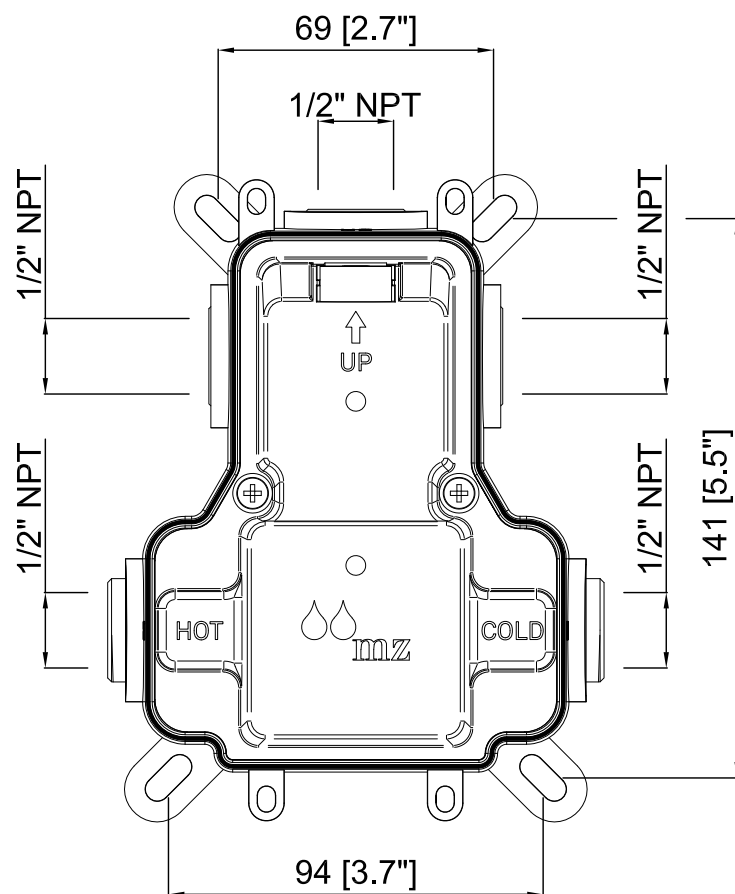


Tolerancia empotrar
Built in wall tolerance
Tolérance d'encastrement
De from de 63 [2.5"] a to à 88 [3.5"]



COD. VDE093-99

MZ DEL RIO S.A.
Pol. Ind. Empresarium C/Lentisco, 12 50720
La Cartuja Baja - Zaragoza (Spain)
Tel. +34 976 571 517
Fax +34 976 572 018
E-mail: mzrio@mzrio.com