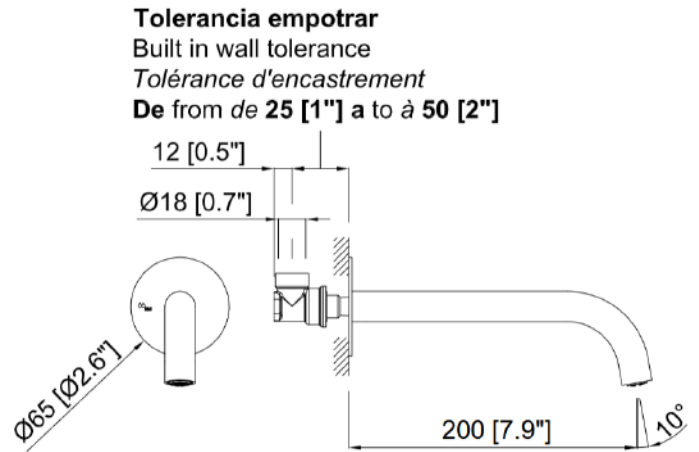


Spout for build in wall lavatory & bath

Finish
PVD BRUSHED GUN

Cod. Product
CLM004-33
Cod. EAN
8435305745417



Specifications

- Material: Brass
- Coating: PVD (Physical Vapor Deposition) Brushed



Standards

- EN200 ·ISO228
- Royal Decree 865/2003 (UNE Standard 100030 IN)



Included accessories

- Easy installation thanks to the 1/2" fitting with a fitting tolerance of 0 to 25 mm included.



Warranties

- 5 years against any manufacturing defect.
- 25 years PVD finish