
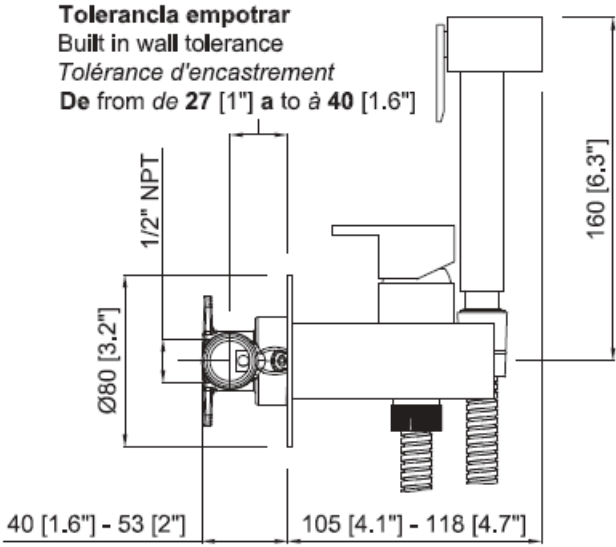


<p>Description;</p> <p>Built in wall hot and cold hand held bidet system</p>	<p>Finish;</p> <p>Chrome</p>	<p>Item;</p> <p>302560000</p> <p>EAN:</p> <p>8435305701789</p>
<p>Photo;</p> 	<p>Technical drawing;</p> 	
<p>Specifications;</p>	<p>Material: Brass. Chrome coating: nickel 15 micron and chrome 0.5 micron. Metallic handles Anti-flood system, it is no possible to leave the tap open when hand-shower is placed in the holder</p>	
<p>Accessories included;</p>	<p>Anti torsion 47.00" (1,2 mts) PVC flexible hose Brass square hand shower Pre-installation cap included</p>	
<p>Standards;</p>	<p>ASME A112.18.1/CSA B125.1</p>	
<p>Warranty;</p>	<p>5 years against manufacturing defects. Cartridge life time warranty.</p>	
<p>Observation:</p>	<p>For more information www.mzrio.us</p>	
<p>Manufacturers;</p>	<p>M.Z. DEL RIO Pol. Ind. Empresarium, Calle Lentisco nº.12 50720 La Cartuja Baja (Zaragoza) Spain Tel. 976-571517 Fax: 976-572018 E.mail: mzrio@mzrio.com</p>	